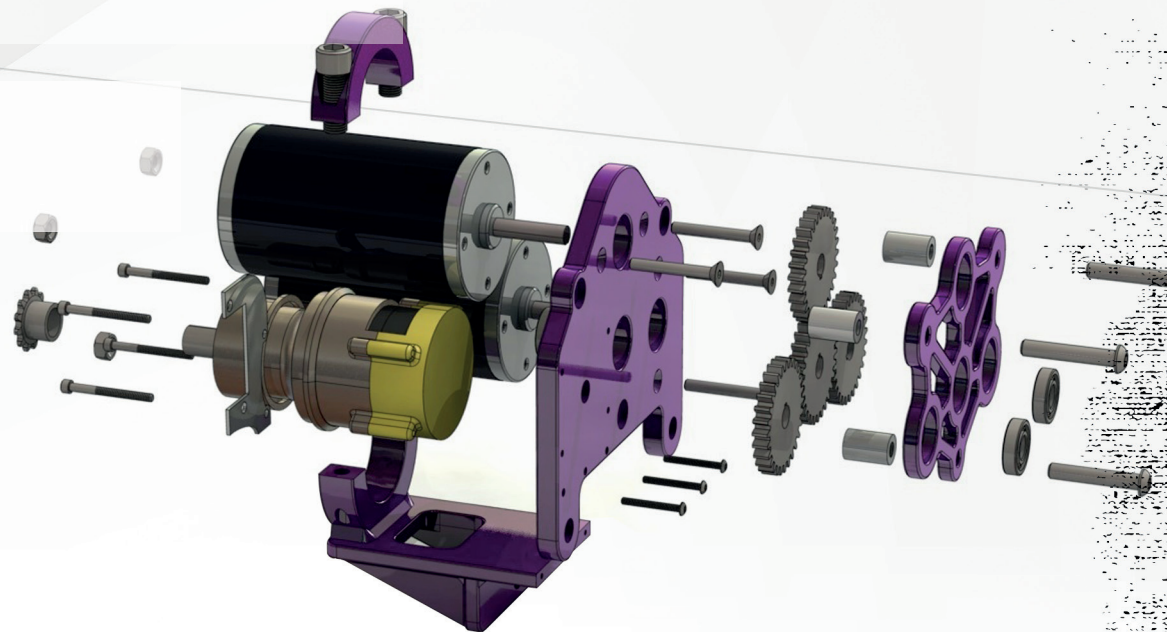


CERTIFICATE

we congratulate you on your achievement

AGUNG KRISTANTO

Certified SolidWorks Associate



A stylized, handwritten signature in black ink, appearing to be 'BS'.

